



## TECHNICAL DETAILS

### GENERAL:

Product Code	11170069 white
Dimensions (mm)	110,0 x 51,0 x 5,5

### DISPLAY:

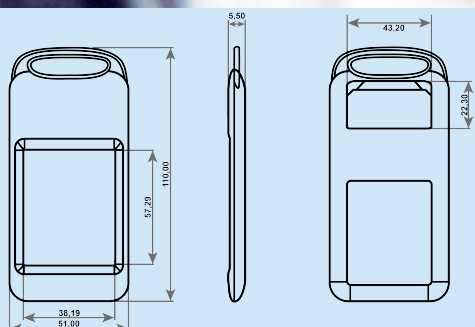
Display Technology	Full graphic E-ink display
Active display area (mm)	57,29 x 38,19
Resolution (pixels)	264 x 176
Pixel density	117 DPI
Pixel colors	Black/white
Viewing angle	Nearly 180°

### OPERATION:

Usable pages	5
Operating temperature	0°C to 40°C
Battery	2 x CR2450
Battery lifetime	3 years (1 update/day)
Encryption	128-bit AES
Compliance	CE, FCC
Packaging unit	60 labels/box

### CONNECTIVITY:

Active NFC	Yes, operating frequency: 13,56 MHz
ESL operating frequency	CE 868.0 - 869.8, FCC 921.525 - 926.475
Wireless firmware update	Yes



e-shelf-labels | S&K Solutions GmbH & Co. KG

Sailerwöhr 16 | 94032 Passau

+49 (0) 851 / 2009 30 30  
[info@e-shelf-labels.com](mailto:info@e-shelf-labels.com)

[www.e-shelf-labels.com](http://www.e-shelf-labels.com)