

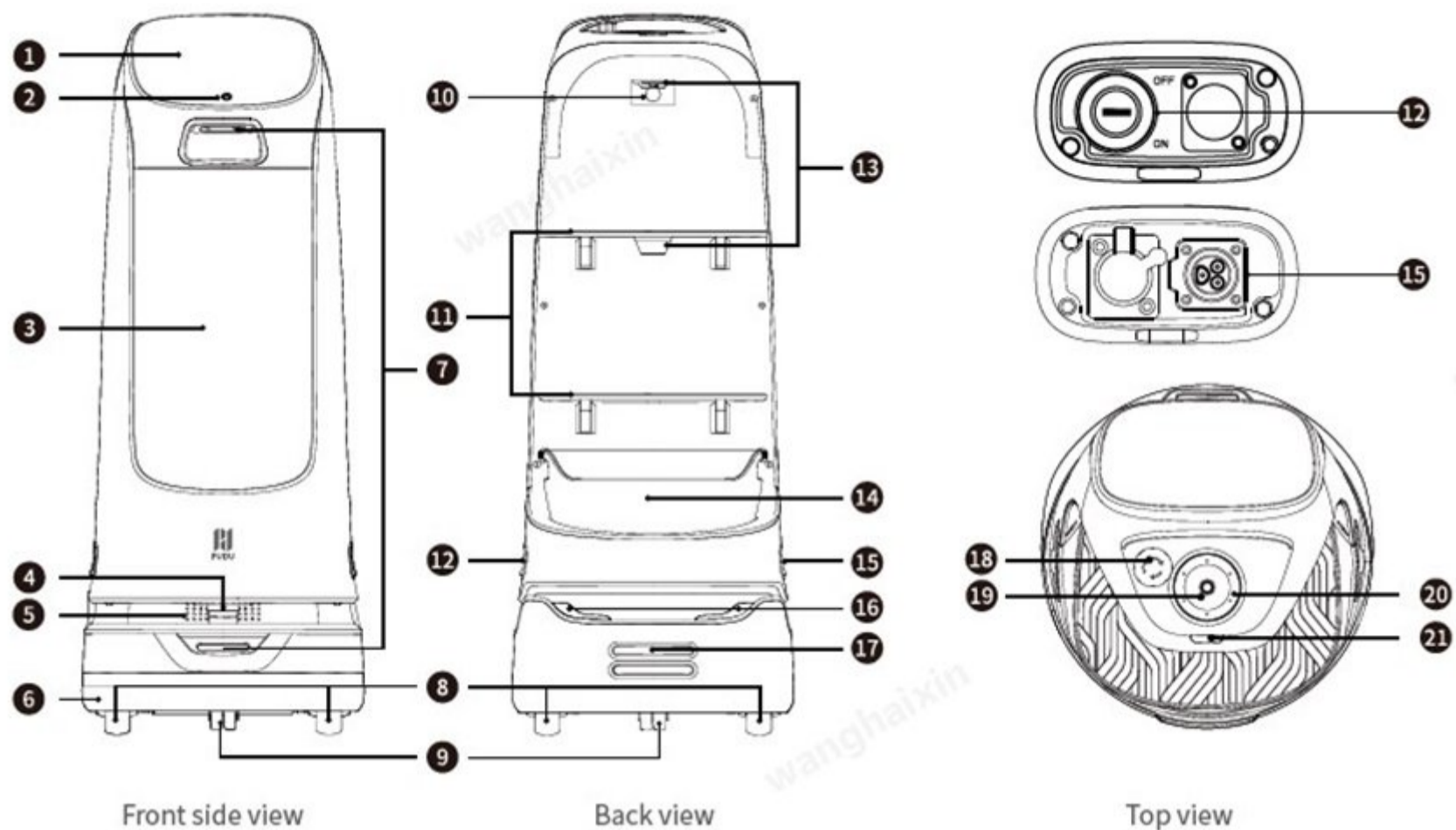
Product introduction(KettyBot Pro)

1. Overview



KettyBot pro is a delivery and reception robot with a large advertising screen that supports SLAM positioning and navigation solutions integrating both visual and laser positioning. Its superior trafficability of only 55 cm (21.65 in) allows it to move around effortlessly in complex and crowded environments. As a versatile all-rounder for marketing, customer attraction & acquisition, greeting & escorting, food delivery, voice interaction, and more, KettyBot is suitable for use in restaurants, hotels, supermarkets, and many other business scenarios.

2. Appearance & components



No.	Description
1	LCD screen
2	Front positioning camera
3	Advertising screen
4	Lidar
5	Audio equipment
6	Collision sensor
7	Depth vision sensors
8	Drive wheels
9	Auxiliary wheels
10	SIM card slot cover
11	Trays
12	Key switch
13	Pallet detection sensor
14	Dish-return box
15	Charging electrode plate
16	Light strip
17	Charging electrode plate
18	Emergency stop switch
19	Vision sensor
20	Mic circular array kit
21	Power switch

3. Specifications

Feature	Description
Model	PNT
Operating voltage	DC 25.6V
Power input	AC 100-240 V, 50/60 Hz
Power output	29 V/ 8 A
Battery capacity	20 Ah

Charging time	3.5 h	
Charging mode	Manual and auto charging	
Battery life	9 h (None load)	
Cruise speed	0.2-1.2 m/s (1.64-3.93 ft/s)(adjustable)	
Navigation	Laser and visual integrated SLAM positioning	
Min. travel width	55 cm (21.65 in)	
Max. surmountable height	5 mm (0.20 in)	
Max. climbing angle	5°	
Tray dimensions	352 mm × 340 mm (13.86×13.39 in)	
No. of trays	Two trays and one dish-return box	
Height between trays	From top to bottom: 248 mm/253 mm/223 mm (9.76 in/9.96 in/8.78 in)	
Tray load	10 kg/layer	
Machine material	ABS/aviation grade aluminum alloy	
Robot weight	38 kg (83.78 lbs)	
Robot dimensions	435 mm × 450 mm × 1120 mm (17.13×17.72×44.09 in)	
Screen size	10.1-inch LCD screen and 18.5-inch LCD screen (advertising screen)	
Operation system	Android	
Microphone	6-mic circular array kit	
Speaker power	2 × 10 W stereo speakers	
Service life	5 years	
Working environment	Temperature: 0 °C to 40 °C (32° to 104° F) RH: ≤ 85%	
Storage environment	Temperature: -40 °C to 65 °C (-40° to 149° F) RH: ≤ 85%	
Working altitude	< 2000 m (6561.68 ft)	
Ground surface standard	Indoor environment, flat and smooth ground	
IP rating	IP20	
Frequency band range	Wi-Fi	2.4G Wi-Fi: 2412-2472 MHz, 2422-2462 MHz 5.2-5.6G Wi-Fi: 5180-5320 MHz, 5500-5700 MHz, 5190- 5310 MHz, 5510-5670 MHz, 5210-5290 MHz, 5530-5610 MHz 5.8G Wi-Fi: 5745-5825 MHz, 5755-5795 MHz, 5775 MHz
	Bluetooth	2402-2480 MHz
	3G	B1/B8
	4G	B1/B3/B7/B8/B20/B28/B34/B38/B40
Max. transmit power	Wi-Fi	2.4G Wi-Fi: 17.48 dBm 5.2-5.6G Wi-Fi: 13.35 dBm 5.8G Wi-Fi: 13.85 dBm
	Bluetooth	LE: 5.96 dBm BDR/EDR: 8.49 dBm
	3G	B1: 23.56 dBm B8: 23.43 dBm
	4G	B1: 23.49 dBm B3: 23.96 dBm B7: 24.33 dBm B8: 23.45 dBm B20: 23.36 dBm B28: 23.81 dBm B34: 23.32 dBm B38: 24.76 dBm B40: 23.25 dBm