

Product introduction

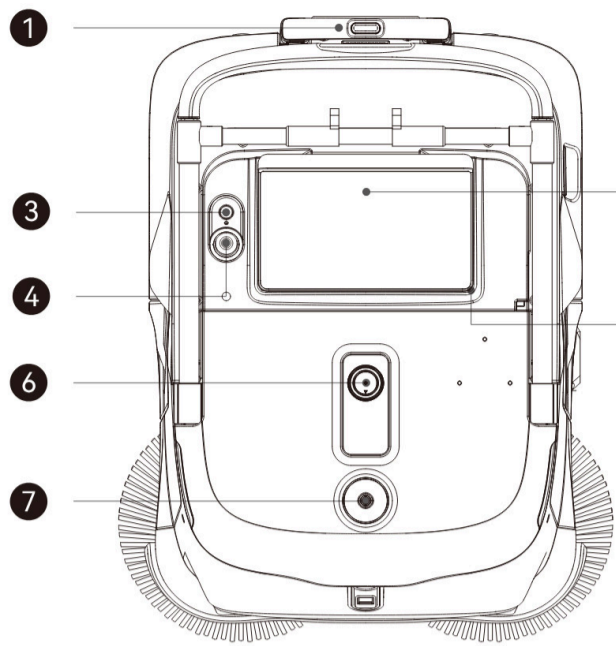
1. Overview



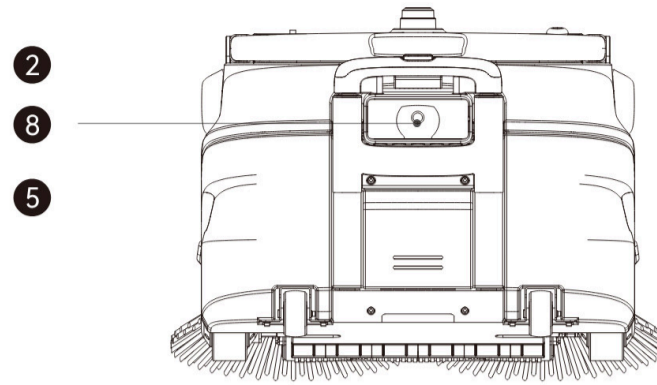
PUDU MT1 is a professional sweeping robot designed for large-scale environments. It supports autonomous charging. The core advantage of this product is its ability to meet the cleaning needs of various hard floor surfaces. Its typical application environments include warehouses, factories, home improvement centers, airports, and stations where there is a large amount of rubbish. It not only reduces costs and improves efficiency for clients but also enhances the overall cleanliness of the environment.

2. Appearance and components

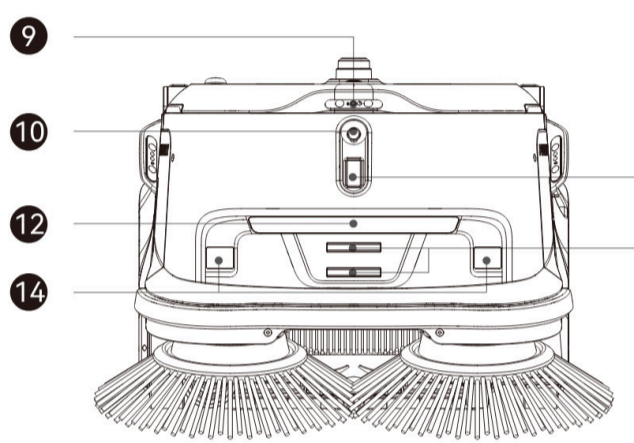
PUDU ACADEMY



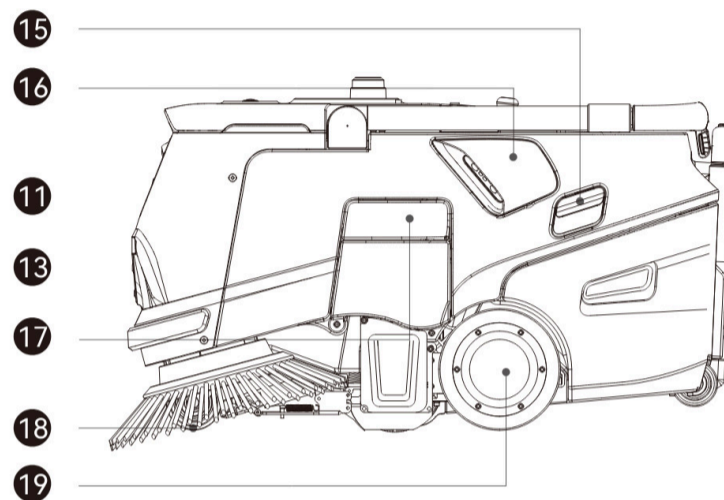
Top view



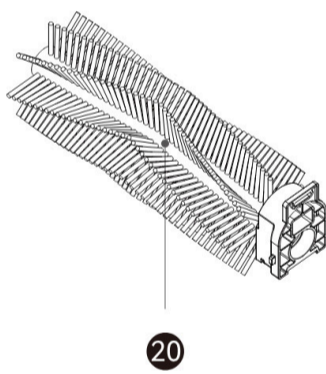
Back view



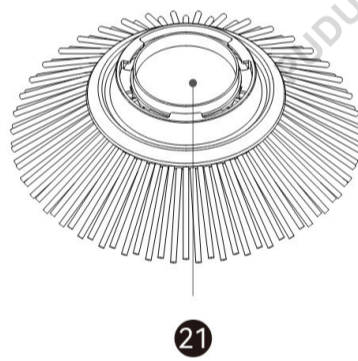
Front view



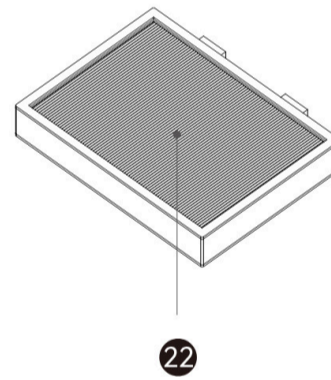
Side view



20



21



22

Accessories

No.	Description	No.	Description	No.	Description
1	Handle	9	RGBD	17	Charging port cover
2	LCD screen	10	RGB camera	18	Universal wheel
3	Power switch button	11	Laser sensor	19	Drive wheel
4	Emergency stop switch	12	Supplementary light	20	Sweeping brush
5	Screen protector	13	Charging electrode plate	21	Side brush
6	Lidar	14	Laser sensor	22	Air filter
7	VSLAM camera	15	Dust removal handle		
8	RGB camera	16	RGBD		

3. Performance parameters and specifications

Features	Description
Model	MTBC01
Operating voltage	DC 23 V-29.2 V
Power input	AC 100 V-240 V, 50/60 Hz

Power output	Max.: 29.2 V, 20 A
Battery capacity	45 Ah
Charging time	Approximately 3 hours
Runtime	4 h to 8 h
Cleaning capabilities	Shreds of paper, plastic film, etc.
Weight	Approximately 65 kg (143 pounds)
Robot dimensions (LxWxH)	84*60*49 cm (31.5*23.6*19.3 inches)
Enclosure material	PC+ABS
Screen specifications	10.1-inch LCD screen
Navigation method	Integrated lidar and visual SLAM positioning
Cruise speed	0.2 m/s-1.2 m/s (Adjustable) / 0.66 ft/s-3.94 ft/s (Adjustable)
Working noise	< 75 dB
Min. travel width	75 cm (29.5 inches)
Min. turning width	110 cm (43.31 inches)
Max. surmountable height	20 mm (0.8 inch)
Max. climbing angle	8°
Max. surmountable gap	30 mm (1.18 inches)
Cleaning Width (with side brushes)	Approximately 700 mm (Approximately 27.6 inches)
Dustbin capacity	35 L (1.2 ft ³)
Operation system	Android
Communication	Support 4G, Wi-Fi, Bluetooth, Lora or 2.4G (optional)
Mobile App	Supported
Operation mode	Manual/Auto
Auto charging	Supported (in conjunction with MT1 charging station)
Working environment	Temperature: 0°C-40°C (32°F-104°F); Humidity: ≤ 90% RH
Storage environment	Temperature: -20°C-70°C (-4°F-158°F); Humidity: ≤ 90% RH
Working altitude	< 2000 m (6561.7 ft)
Application scope	Paved ground made of polished concrete, epoxy resin, rubber, regular brick, ceramic tiles, etc.
IP rating	IPX3

(* The battery life of each cleaning mode is calculated based on the standard gear setting, with the battery starting at 100% and ending at 10%.)